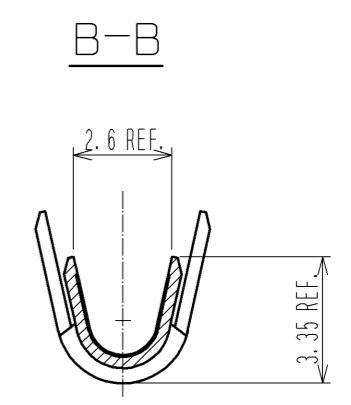
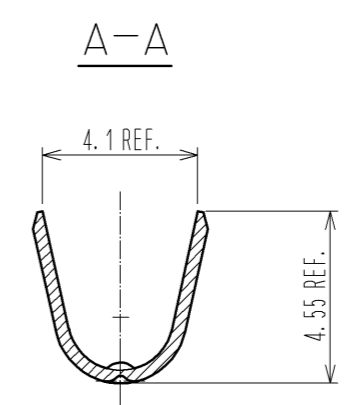
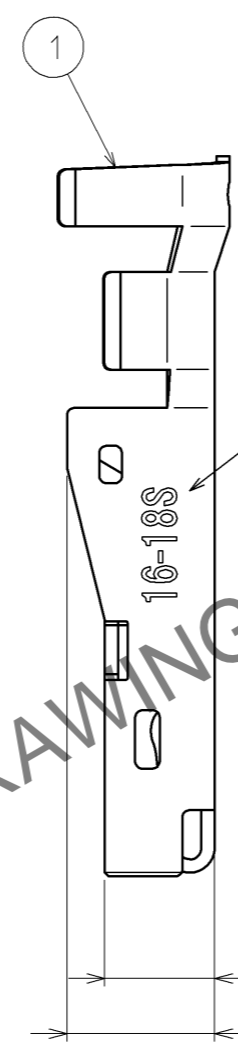
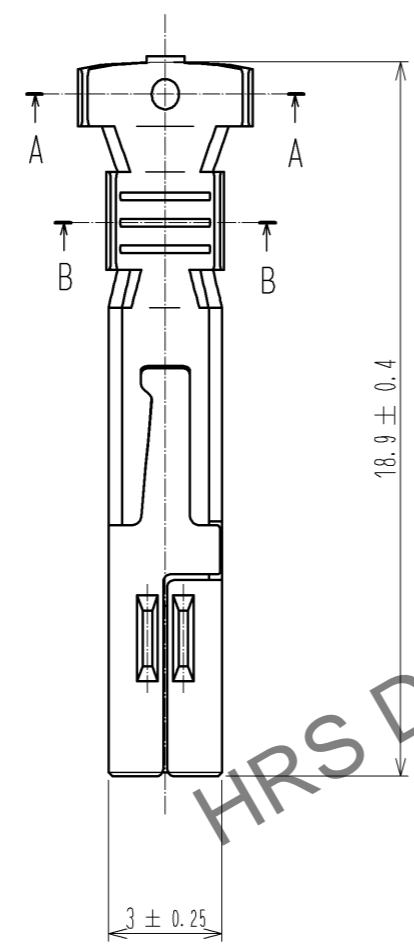
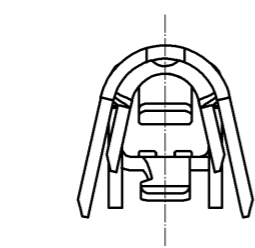
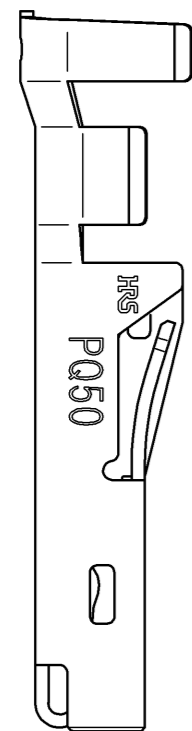


Feb.1.2026 Copyright 2026 HIROSE ELECTRIC CO., LTD. All Rights Reserved.
 In case of consideration for using Automotive equipment / device which demand high reliability, kindly contact our sales window correspondents.



- NOTES
1. APPLICABLE WIRE IS AWG #16~#18. (UL1007, UL1015) INSULATION DIAMETER ϕ 3.30mm MAX.
 2. APPLICABLE CRIMPING MACHINE AND CRIMPING CONDITIONS (CRIMP HEIGHT etc.) WILL BE SPECIFIED ACCORDING TO AWG # OR WIRE APPLIED.
 3. ONE PACKAGE CONSISTS OF 100 PCS.
 4. REFER TO ATAI-E3038 FOR CRIMP QUALITY STANDARDS.

NO.		MATERIAL		FINISH . REMARKS		NO.		MATERIAL		FINISH . REMARKS	
		1		COPPER ALLOY				CONTACT AREA : GOLD PLATING 0.2 μ m MIN. TERMINAL AREA : TIN PLATING 1 μ m MIN. UNDER PLATING : NICKEL PLATING 0.5 μ m MIN.			
UNITS		SCALE	COUNT	DESCRIPTION OF REVISIONS				DESIGNED	CHECKED	DATE	
mm		5 : 1	1	DIS-E-004910				TY. MIURA	NM. NISHIMATSU	14. 01. 20	
HRS HIROSE ELECTRIC CO., LTD.		APPROVED : RI. TAKAYASU	12. 12. 11	DRAWING NO.		EDC3-128191-00					
		CHECKED : AH. KODAMA	12. 12. 11	PART NO.		PQ50-1618SCA					
		DESIGNED : TY. MIURA	12. 12. 10	CODE NO.		CL236-2044-3-00					
		DRAWN : TY. MIURA	12. 12. 10								